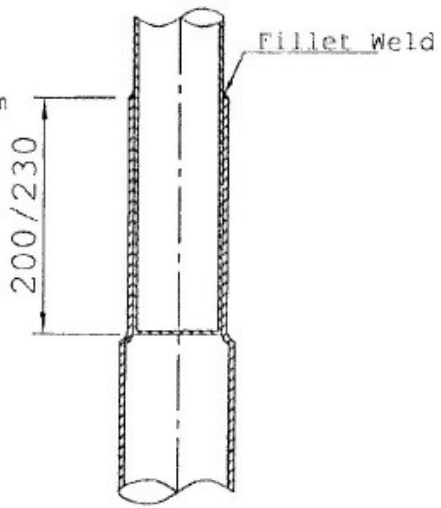
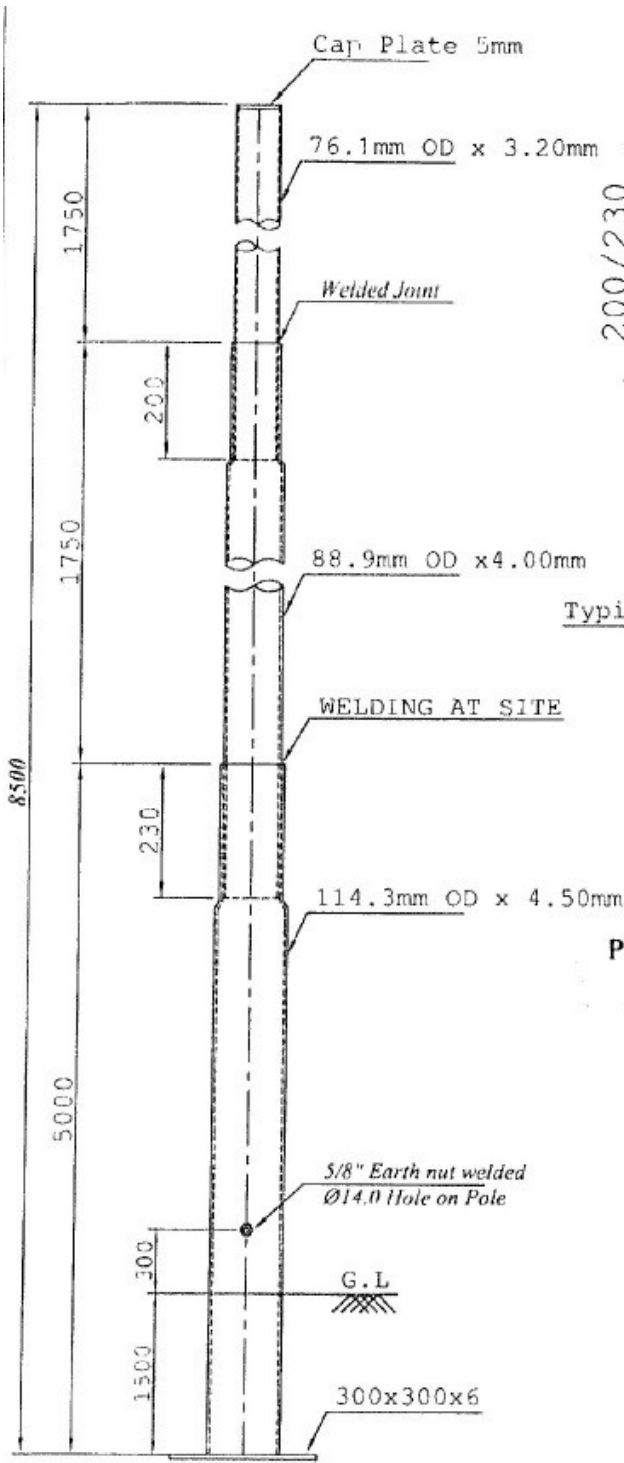
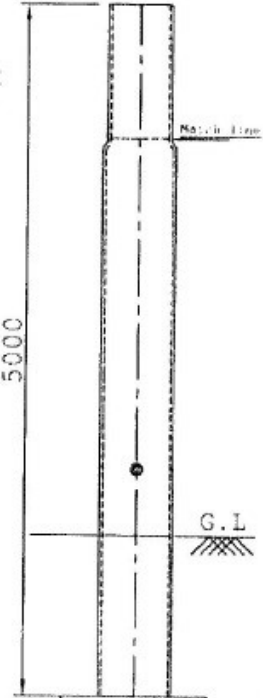
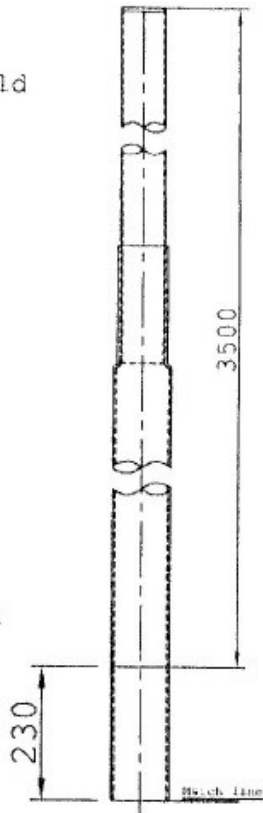


Amendment-3 dated: 05.09.2018, Ref: NIT No. 2092 dated: 17.08.2018

S. No.	Page No/ Clause No.	Existing Provisions	Revised Provisions
1	Section-V, Detailed Scope of Work, Technical Specifications & Conditions of Contract	Technical Specifications of Steel Tubular Poles	Addition: 8.5, 9 and 9.5 Meter Steel Tubular Poles shall be supplied in two-piece length i.e. Top & Middle Section (One Part) and Bottom Section (Second Part) as per drawings enclosed with this amendment. Welding of two pieces of Steel Tubular Poles shall be done at site and shall be in the scope of Power & Electricity Department, Mizoram.



Typical Detail of Lap Joint



CHECKED BY

[Signature]

Assistant Engineer (RE)
Power & Electricity Department
Mizoram, Aizawl

Verified by

[Signature]

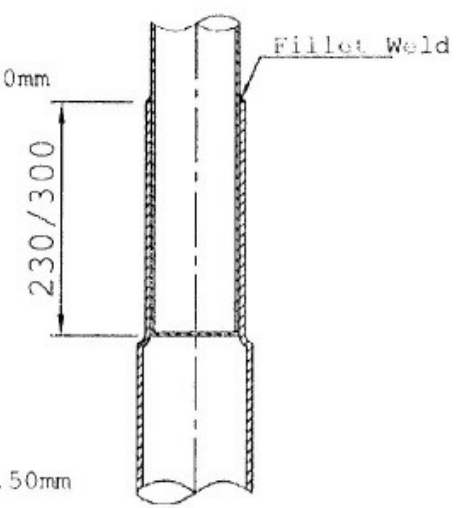
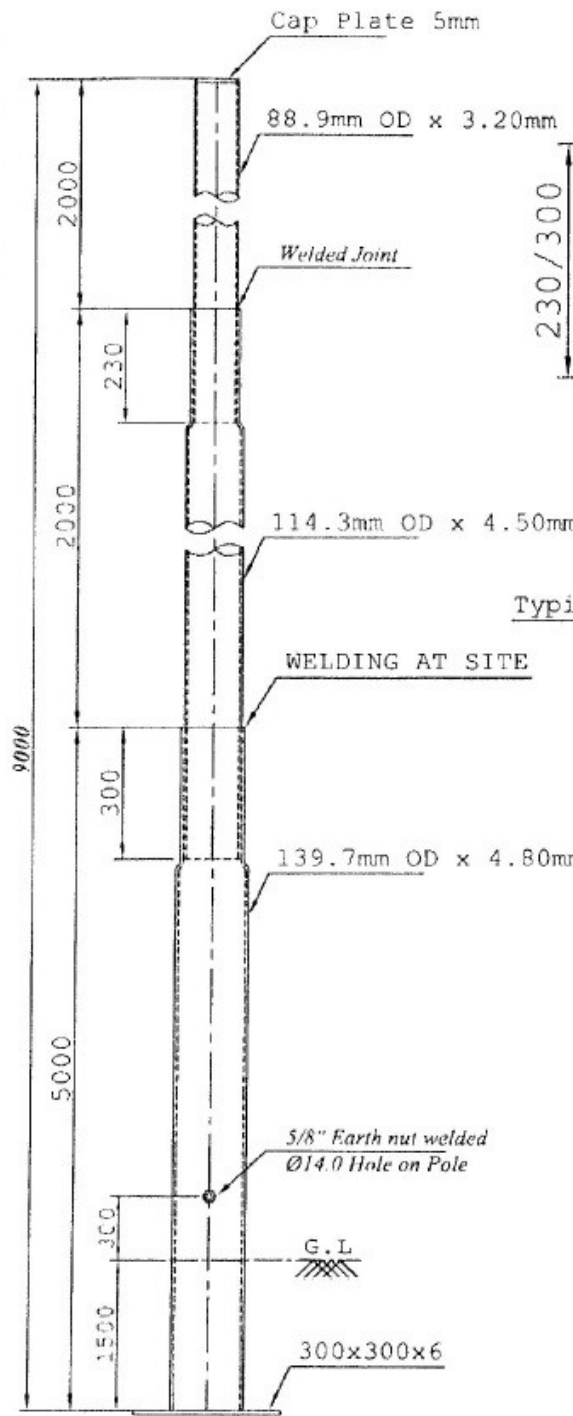
Superintending Engineer (RE)
Power & Electricity Department
Mizoram, Aizawl

APPROVED BY

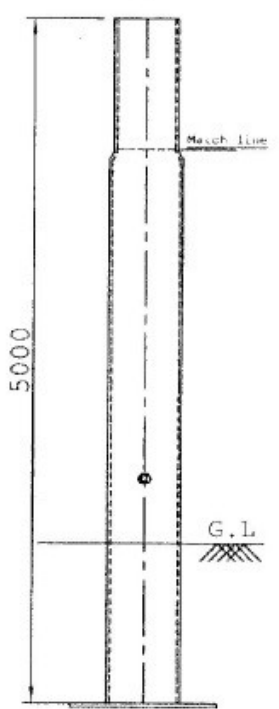
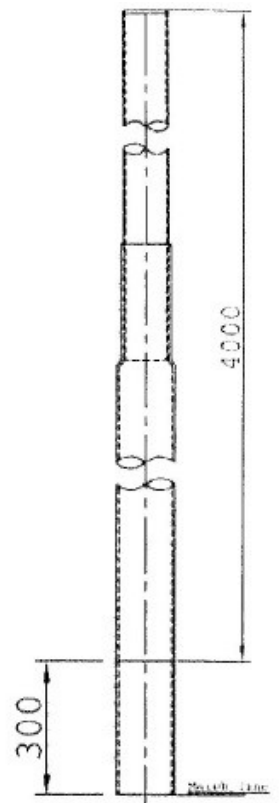
[Signature]

Chief Engineer (RE)
Power & Electricity Department
Mizoram, Aizawl

8.5m STEEL TUBULAR POLE (410:SP-17)
Pole in two Parts (Middle & Bottom will be welded at site)



Typical Detail of Lap Joint



CHECKED BY

[Signature]

Assistant Engineer (RE)
Power & Electricity Department
Mizoram, Aizawl

Verified by

[Signature]

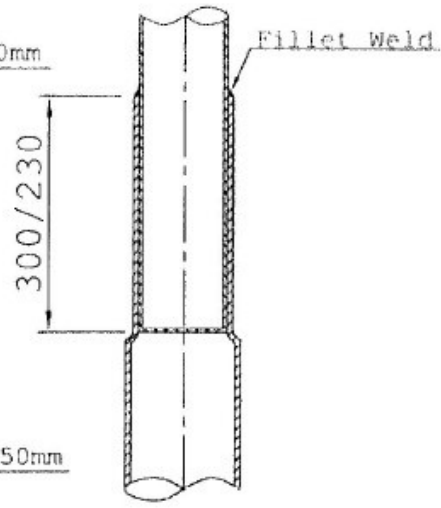
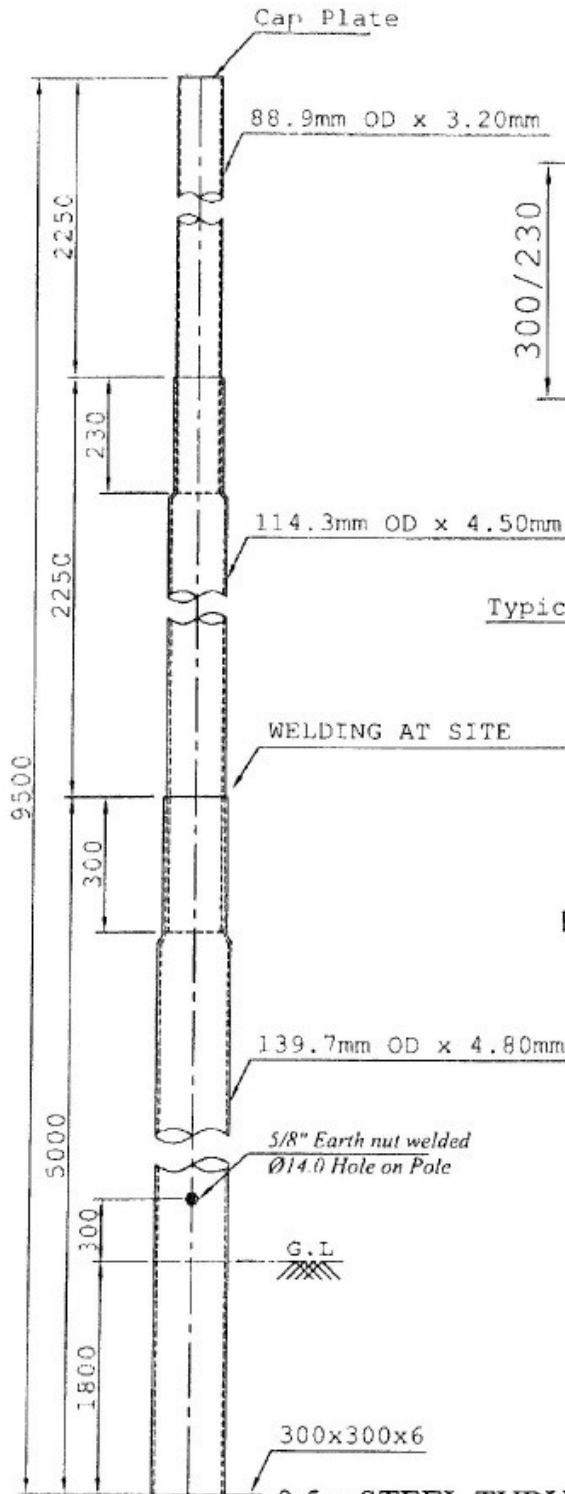
Superintending Engineer (RE)
Power & Electricity Department
Mizoram, Aizawl

APPROVED BY

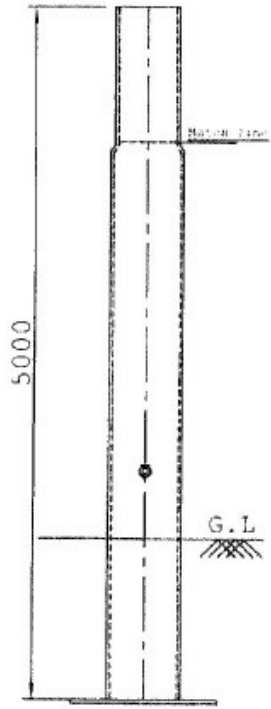
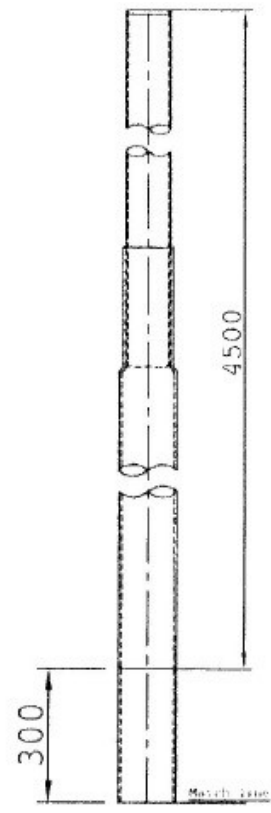
[Signature]

Chief Engineer (RE)
Power & Electricity Department
Mizoram, Aizawl

9.0m STEEL TUBULAR POLE (410:SP-29)
Pole in two Parts (Middle & Bottom will be welded at site)



Typical Detail of Lap Joint



CHECKED BY

[Signature]

Assistant Engineer (RE)
Power & Electricity Department
Mizoram, Aizawl

Verified by

[Signature]

Superintending Engineer (RE)
Power & Electricity Department
Mizoram, Aizawl

APPROVED BY

[Signature]

Chief Engineer (RE)
Power & Electricity Department
Mizoram, Aizawl

9.5m STEEL TUBULAR POLE (410:SP-35)
Pole in two Parts (Middle & Bottom will be welded at site)